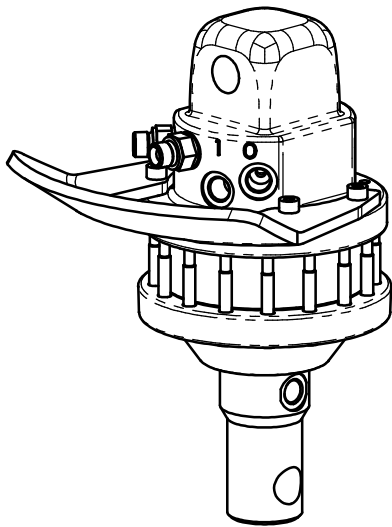
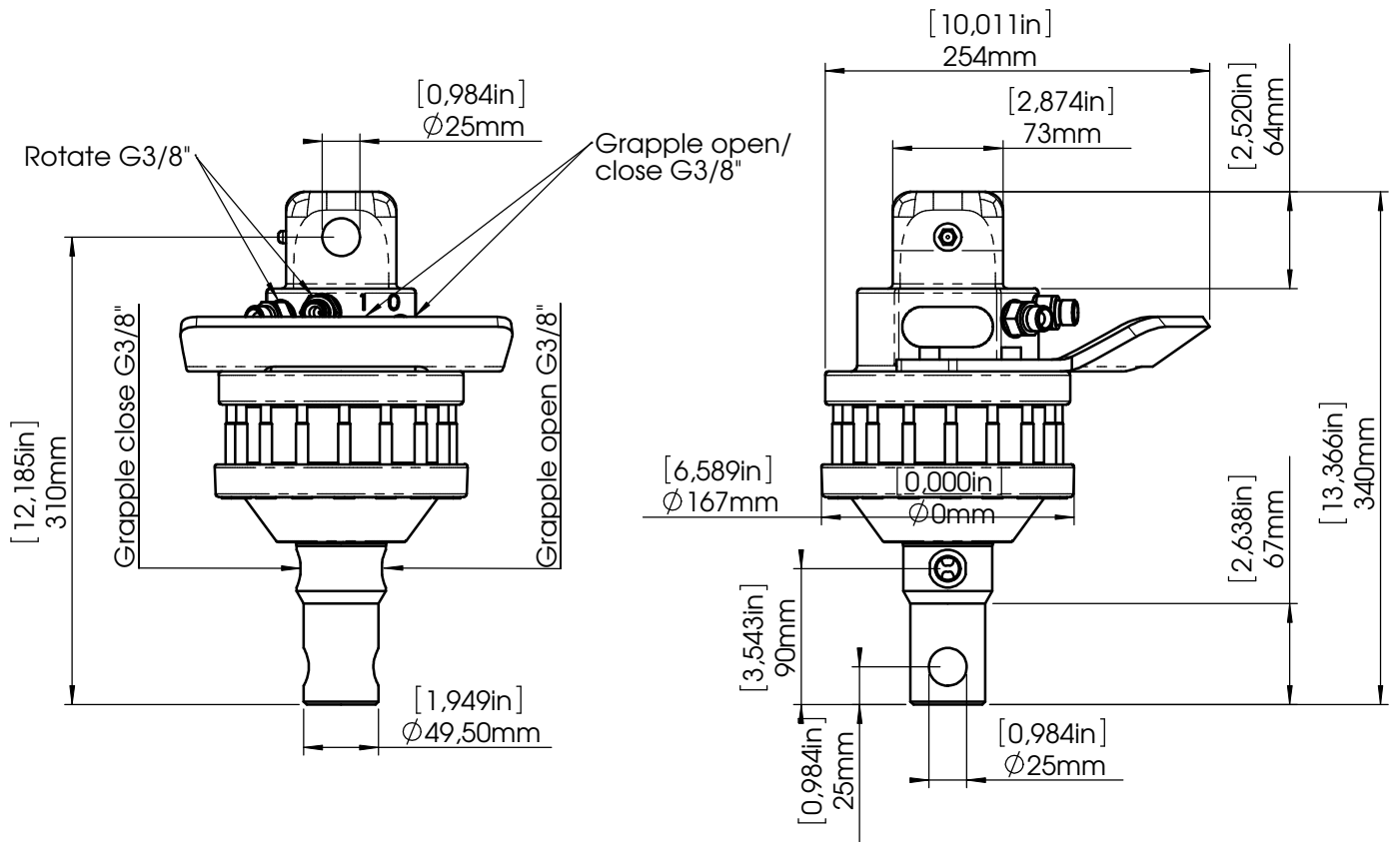
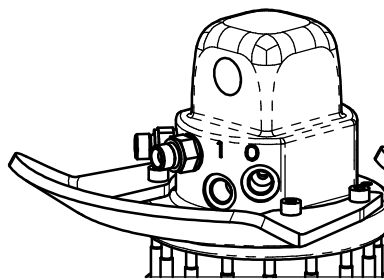


# Rotator FR 10 D49,5

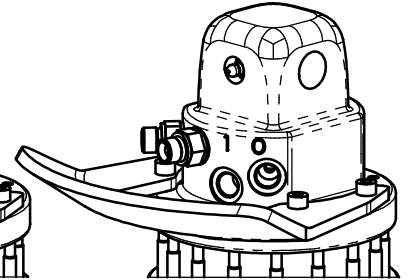


FR 10 D49,5	
Rotation angle	Unlimited
Max. working pressure	200 bar
Displacement	420 cm <sup>3</sup>
Torque (200 bar)	1000 Nm
Max. axial force	60 kN
Safe working load	4000 kg
Weight	20 kg

Direction W



Direction X



Basic models		
Item	Name	Direction
11009	FR 10-X25A25D49,5	X
11010	FR 10-W25A25D49,5	W